



6CFT-90V WALL CANOPY

Installation and Operation Manual

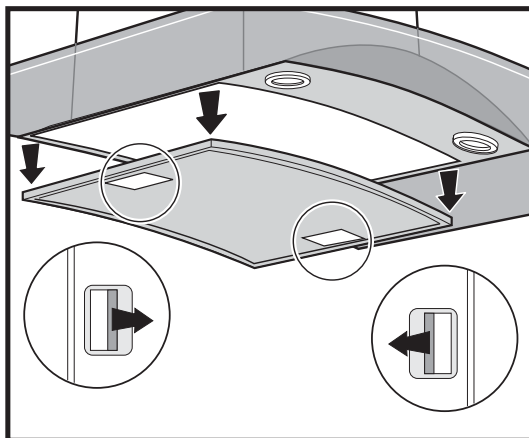


Fig. 1 - Abb. 1 - Obr. 1

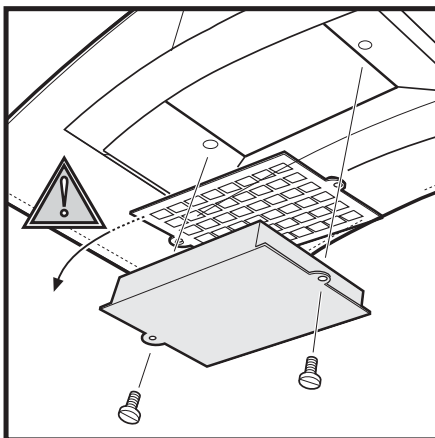


Fig. 2 - Abb. 2 - Obr. 2

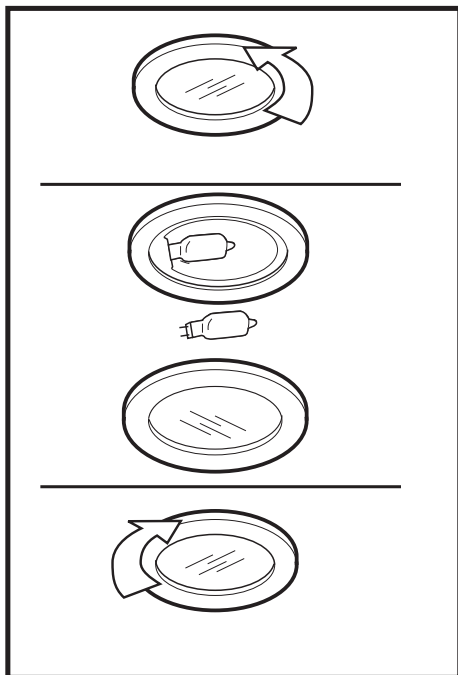


Fig. 3 - Abb. 3 - Obr. 3

Montaje - Seguir la secuencia numérica.

Montagem do exaustor - Seguir a ordem de sequência numérica.

Montage de la hotte - Suivre la séquence à numéros

Montaggio della cappa - seguire la sequenza dei numeri

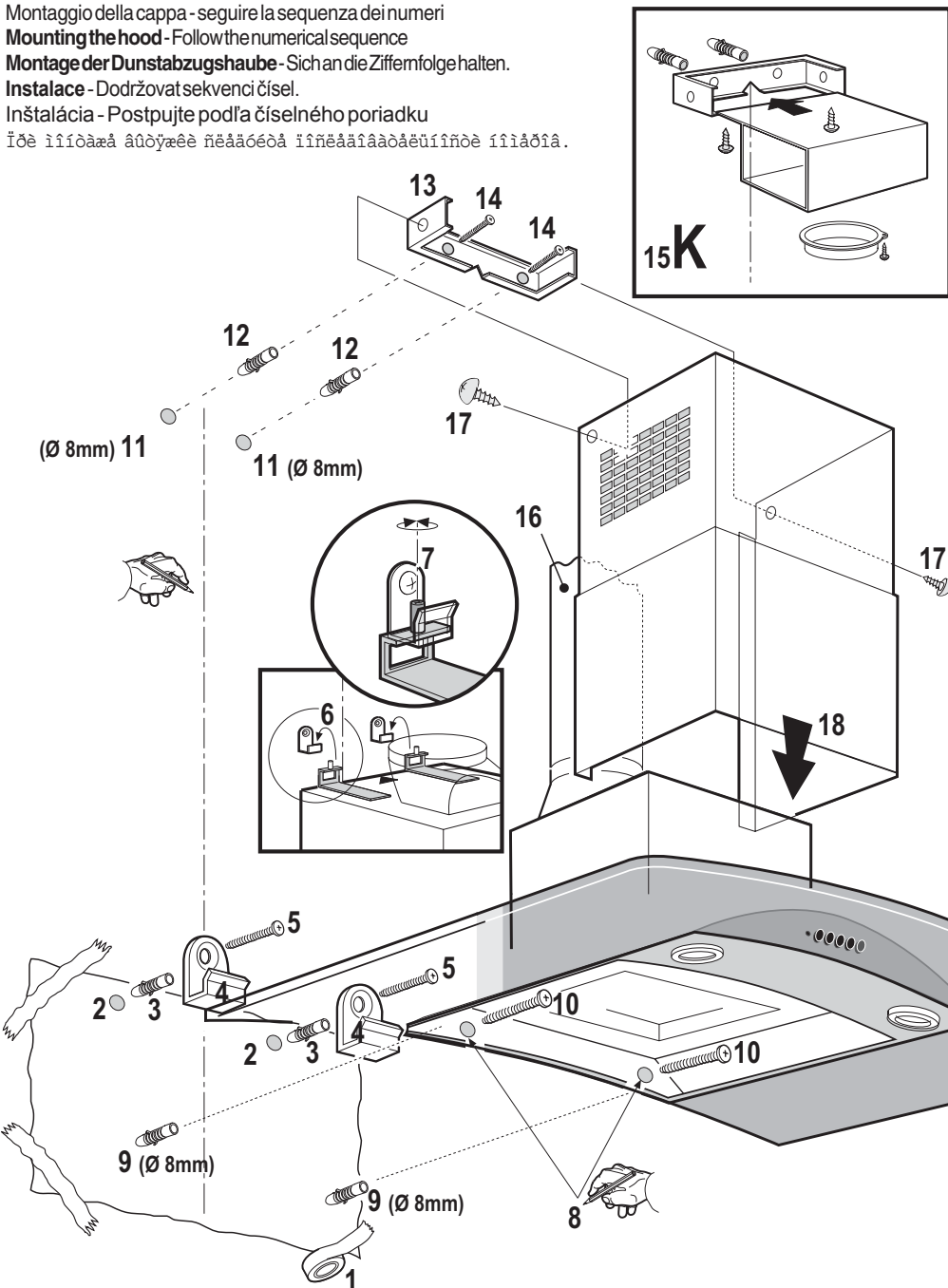
Mounting the hood - Follow the numerical sequence

Montage der Dunstabzugshaube - Sich an die Ziffernfolge halten.

Instalace - Dodržovat sekvenci čísel.

Instalácia - Postupujte podľa číselného poriadku

İde iiii0äää äüöýæèè ñèääóéòä iifñèääiiaäòäèüifñòè iiiiäöiä.



Use: Two systems are available

Exhaust mode (S)

Vapours are extracted outside through an exhausting pipe that is affixed to the connection ring above the hood.

Diameter of the exhausting pipe must be equal to that of the connection ring.

In the horizontal runs the duct must be slightly slanted (about 10°) and directed upwards to vent the air easily from the room to the outside.

Attention!

If the carbon filter is mounted inside the hood, it must be removed and the protective grid mounted in its place.

Filter version (K)

The air is filtered through a carbon filter (for its installation see paragraph "Carbon filter") and recirculated into the room through the grating of the chimney.

Attention!

If the hood does not have a carbon filter, one must be purchased and mounted in place of the protective grid.

This version is used when there is no exhaust duct for venting outdoors or when it is impossible to install one.

Installation

When installed, the distance between hood and burners must be not less than 60 cm. above electric burners or 70 cm. above gas or mixed-fuel burners.

The exhausting pipe is not supplied and must be purchased apart.

Electric connection

Before completing any connection, make sure the house voltage corresponds with the voltage indicated on the label affixed inside the hood. It is advisable to call a qualified technician to make the electrical connection.

Appliance fitted with plug.

Connect it to a socket which conforms with current regulations.

If you intend to connect it directly to the electric mains, remove the plug and fit an approved bipolar switch with a minimum contact opening of no less than 3mm.

If the plug is not accessible once it has been inserted in the socket, it will however be necessary to fit an approved bipolar switch with a minimum contact opening of no less than 3mm.

Appliance without plug

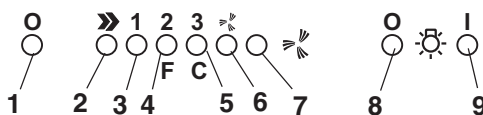
Fit an approved plug or an approved bipolar switch with a minimum contact opening of not less than 3mm.

The manufacturers are not liable for any problems caused by the user's failure to observe the above instructions.

Using the hood

- The hood is provided with a motor with several speeds. For the best performance, we recommend using the low speeds in normal conditions and the high speeds in particular cases of strong odour and vapour concentration.
- We recommend starting up the hood a few minutes before cooking and keeping it running until all the odours have been eliminated.

Electronic control panel



- 1- Motor OFF button
- 2- On button and motor speed selection button 1 - 2 - 3 - 1 - 2 -
- 3- Speed 1 LED
- 4- Speed 2 LED and metal grease filter saturation LED (in this latter case, the LED will flash - See instructions on grease filter cleaning).
- 5- Speed 3 LED and carbon filter saturation LED (in this latter case, the LED will flash - See instructions on active carbon filter replacement).

Warning!

The active carbon filter saturation LED is not activated.

In order to activate the carbon filter saturation indicator, press buttons 2 and 7 simultaneously for 3 seconds. Initially, only LED 4 will flash, then after the 3 seconds have passed, LED 5 will also start flashing, indicating that the carbon filter saturation control system is active.

To switch off the system, re-press the same two

buttons: after 3 seconds LED 5 will stop flashing and the device will be switched off.

6 - Intensive speed LED

7 - Intensive speed ON switch

This speed should be used when the concentration of cooking fumes or odours is particularly strong (for example when frying, cooking fish etc.). The fast speed will run for about 5 minutes and then return to the speed previously set automatically (1, 2 or 3), or switch off if no speed was selected. To turn off the fast speed, before the end of the 5 minutes, press button **1** or button **2**.

8 - OFF lamp button

9 - ON lamp button

If the hood fails to operate correctly, briefly disconnect it from the mains power supply for almost 5 sec. by pulling out the plug. Then plug it in again and try once more before contacting the Technical Assistance Service.

Warning!

- This appliance is designed to be operated by adults. Children should not be allowed to tamper with the controls or play with the appliance.
- The hood cannot be connected to flues of other appliances that run on energy sources other than electricity.
- When the hood is used at the same time of other appliances that run on energy sources other than electricity, provision must be made for an adequate supply of air.
- No food must be cooked flambé underneath the hood.
The use of an unprotected flame is dangerous for the filters and could cause fires. Therefore, never use an open flame under the hood. When frying foods, never leave the pan alone because the cooking oil could flare up.
- Please, keep to the provisions of official directives regarding the question of fume discharge.
- The manufacturers refuse to accept any responsibility for damage to the hood or its catching on fire because of failure to observe the above instructions.

Maintenance

Before performing any maintenance operation, isolate the hood from the electrical supply by switching off at the connector and removing the connector fuse.

Or if the appliance has been connected through a plug and socket, then the plug must be removed from the socket.

Metal grease filter

The grease filter serves to trap particles of grease through suspension.

The metal grease filter lasts forever and must be washed either by hand or in the dishwasher (**65°C**) with suitable detergents.

When washed in a dish washer, the grease filter may discolour slightly, but this does not affect its filtering capacity.

The metal grease filters must be washed at least once a month and anyhow whenever the **LED 4 indicates the saturation of the filter** (see page 13).

This LED flashes to warn you that the metal grease filters must be cleaned.

Generally, these must be cleaned after 40 hours of use.

Once the grease filters have been cleaned, press button **1** for about 3 seconds until you hear the acoustic signal (beep): the **LED 4** will now stop flashing.

To remove the metal grease filter - Fig. 1:

- 1.** Disconnect the hood from the electricity.
- 2. a** - push toward the centre
b - pull the filters downwards.

Let the filter dry without damaging it before putting it back into place.

Carry out the above steps in reverse order to put the filters back after having washed them.

Carbon filter

This filter dissolves cooking odours.

The carbon filter must never be washed.

The carbon filter should be replaced every 4 months under normal use and anyhow whenever **LED 5 indicates the saturation of the filter** (see page 13).

This LED flashes to warn you that the carbon filter must be replaced.

This must be done after approximately 160 hours of use.

Once you have replaced the carbon filter, press

button **1** for about 3 seconds until you hear the acoustic signal (beep).

The **LED 5** will now stop flashing.

To fit the carbon filter - Fig. 2:

1. Disconnect the hood from the electricity.
2. Remove the metal filters.
3. Remove the protective grid by unscrewing the two lateral fixing screws.
4. Mount the carbon filter in place of the protective grid using these same screws.
5. Put the metal filter back into place.

To replace the carbon filter - Fig. 2:

1. Disconnect the hood from the electricity.
2. Remove the metal filters.
3. Remove the old carbon filter and replace it.
4. Put the metal filter back into place.

Cleaning

To clean the outside of the hood use a cloth moistened with denatured alcohol or neutral liquid detergents.

Clean also the accessible internal parts after having removed the grease filters, the hood is designed so this can be done easily and safely.

Never use products containing abrasive.

Wipe brushed stainless steel in the same direction as the brushing to avoid scratching.

Clean the external surface of the cooker hood almost once every 10 days.

Attention

Failure to observe the rules for cleaning the appliance and changing and cleaning the filters may cause fires.

Therefore, we recommend observing these instructions.

Replacing the lamp

- a) Disconnect the hood from the electricity.
- b) Unscrew the light shield (Fig. 3).
- c) Replace the damaged lamp with a new halogen lamp of 20Watt max.
- d) Refit the the light shield.
- e) Before calling for repair service because the hood fails to light up, make sure the bulbs are screwed in tightly.